



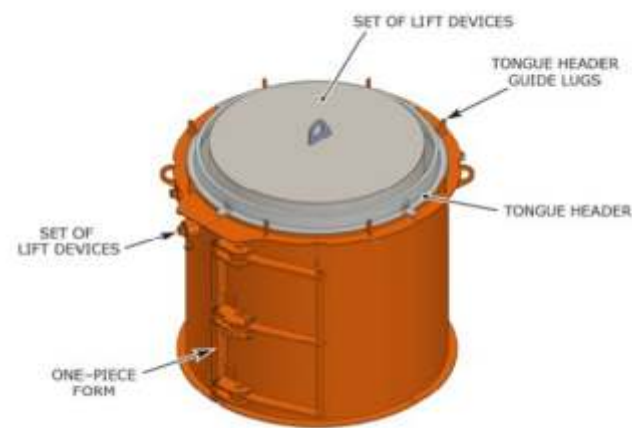
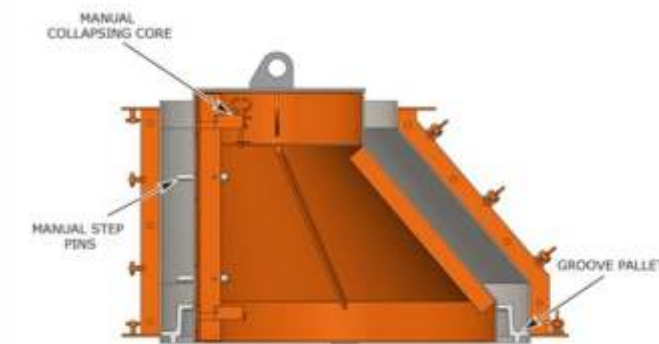
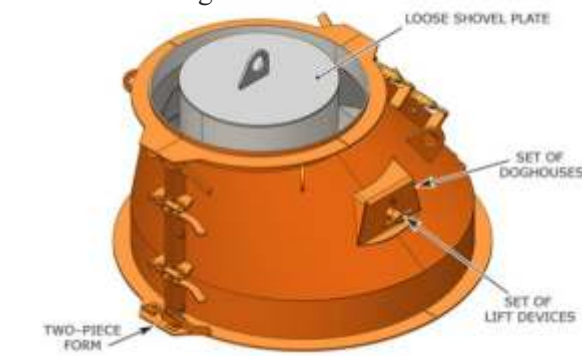
Guaranteed Solutions for manufacturing Wetcast Concrete Products



Wetcast Forms for Manhole >>>

In some part of our vast country the Manholes are still being constructed using Bricks & Mortar which is laborious and time taking processes. AHCT offers easy to use wetcast forms for making the manholes as per the Indian Standards (IS 17725 : 2022) which give the consistent quality together with saving of time and labour.

- ◆ Cone Forms
- ◆ Riser Forms
- ◆ Base Forms
- ◆ Slab Forms
- ◆ Joint Rings



- With Apollo's policy of constant upgradation of products, specifications are subject to change without prior notice.
- Accessories shown here are optional and not the part of standard supply.



Apollo HawkeyePedershaab Concrete Technologies Pvt. Ltd.
 (an Apollo Infratech Group company)
 Ahmedabad-Mehsana State Highway,
 Village: Rajpur - 382 715, Dist: Mehsana, Gujarat, India
 Ph : +91-90990 86697
 sales@ahct.in | www.ahct.in

naamcomm@gmail.com/dec_22

Precision Engineered Wetcast Forms



Apollo HawkeyePedershaab : Innovative Solutions for Wetcast Forms

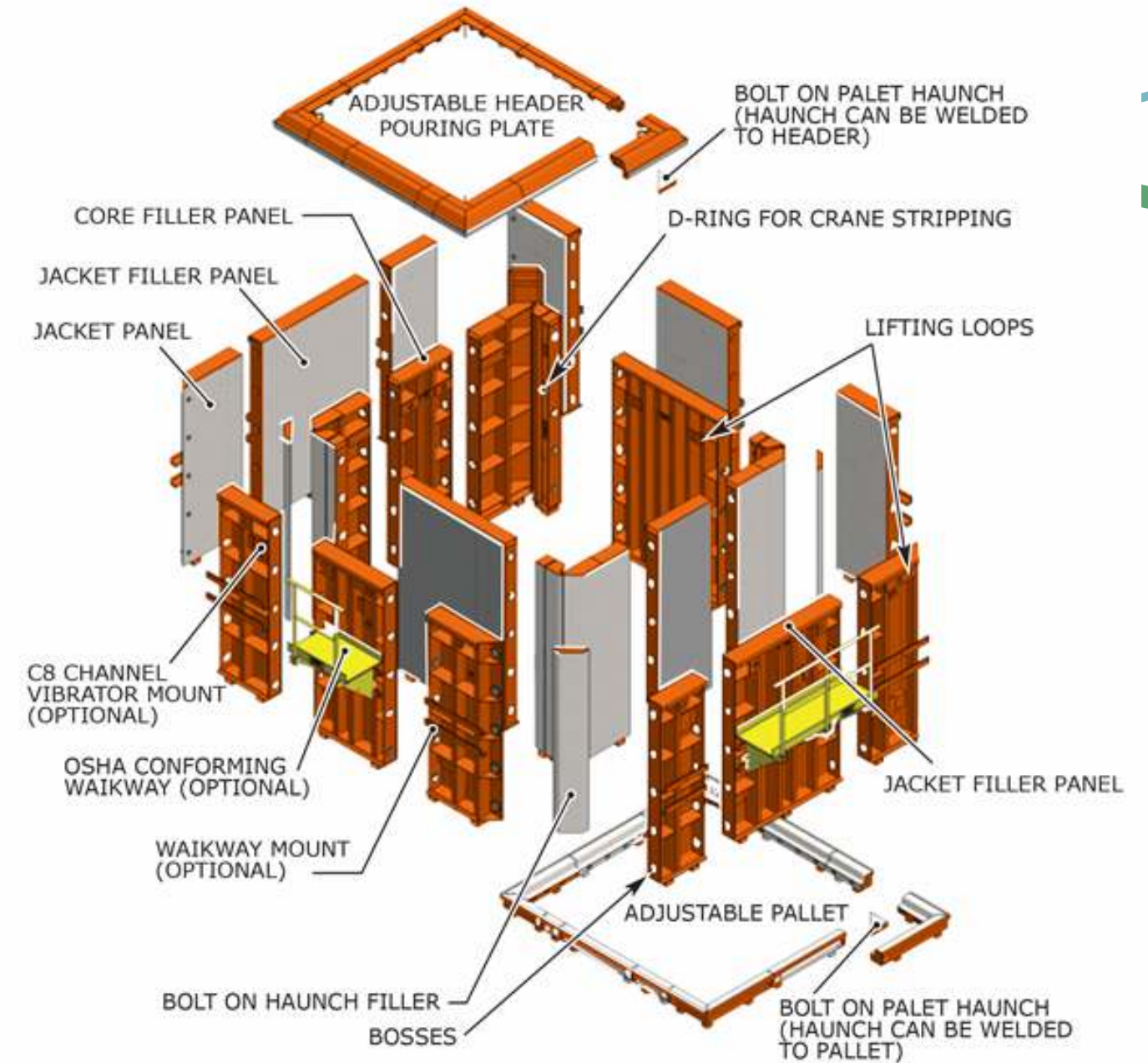
Precast Concrete & Its Benefits >>>

- ◆ Precast concrete is a construction product produced by casting concrete in a reusable form (mould) which is then cured in a controlled environment at a factory and transported to the site for construction applications..
- ◆ With precast concrete much reliable forms of construction are possible because studies reveal that...
 - ◆ Precast concrete gets stronger with passing time
 - ◆ Capable of providing longer service life
 - ◆ May require a little or no maintenance at all
 - ◆ Gives consistency in quality & finish
 - ◆ Saves lot of time in comparison to casting at site
 - ◆ Dust, noise, wastage and disruption associated with the concrete production at site in traditional forms (cast-in-situ) of construction are reduced in precast concrete constructions
- ◆ Greater control over raw materials and workmanship together using best equipment at a precast plant ensures better quality, faster delivery and economical constructions.

Wetcast Forms for U-Drains>>>



Wetcast Forms for Box Culverts>>>



- ◆ Precast box culverts are drainage systems that exist underneath roads, bridges and other forms of transportation infrastructure to allow for water to flow freely underneath and also used as utility ducts for power cable network.
- ◆ A precise formwork system is necessary to craft quality box culverts & drains that fit unique project specifications.

Adjustable Form System Features

- ◆ Interchangeable core filler panels and jacket filler panels.
- ◆ Minimum box culvert size: 3' (900mm) x 5' (1500mm) inside dimension, filler panels to expand to max. Of 20' (6000mm) x 10' (3000mm).
- ◆ Jacket corners and filler panels are fabricated from 6mm skin pass HR steel plates, heavy steel tube screed rails.
- ◆ Header fabrication is from 6mm skin pass HR steel plates, 12mm HR top plate and reinforced with 6mm HR steel gussets.
- ◆ Pallet fabrication is from 6mm skin pass HR plates reinforced with 10mm HR steel gussets.



We provide form work solutions through our family of companies "Afinitas" (HawkeyePedershaab-USA). Afinitas has unmatched depth of expertise to produce precision engineered form work solutions suitable for both Wetcast and Drycast concrete.

Why Wetcast Forms?>>>

- ◆ In today's modern construction technology Precast elements play a very important role right from a Bridge Girders to a Small Manhole.
- ◆ AHCT offers a wide variety of Wetcast forms for the production of Box culverts, U drains, Manholes & many more products using SCC (Self Compacting Concrete).
- ◆ Whether your application requires individual forms or a fully adjustable system, AHCT can build a solution in the configuration, size, span and rise combination you need. Our expert engineers will gladly develop forms to your custom specifications, saving your time and money.

Wetcast Forms for Pipes>>>

