

# CAP 200/250



***HawkeyePedershaab's CAP Machine is an extremely versatile machine that manufactures a wide range of concrete products.***



## **Technology that Works.**

The CAP Machine is designed to reliably manufacture quality concrete products. All the manufacturing steps are performed under complete control.



## **Productive.**

Utilizes the "vertical cast" production process to permit continuous output with a single form. Multiform capability allows output to be multiplied as desired.

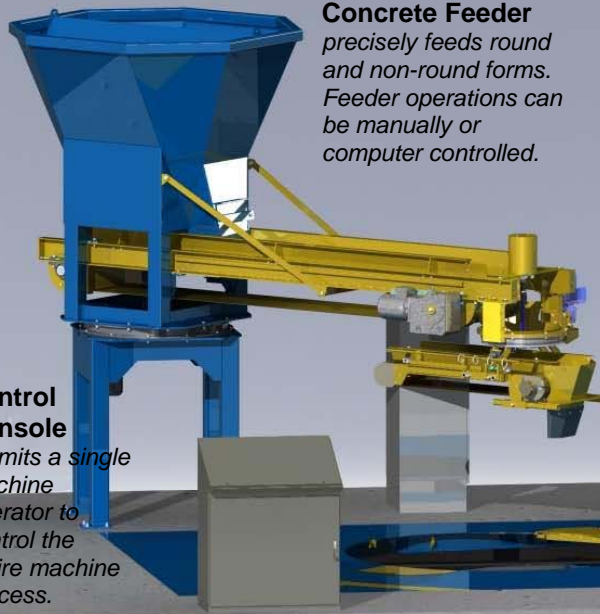


## **Versatile.**

The CAP Machine can be installed with one or two production stations, each producing a different product. Manufacture pipe, lined pipe, manholes, and catch basins up to 2000mm diameter x 2.5M lengths.

**Toll Free:**  
+1-800-626-1451  
**Phone:**  
+1-319-394-3197  
**Fax:**  
+1-319-394-3977  
**Email:**  
info@hawkeye-  
pipe.com  
**Web:**  
www.hawkeye-

# CAP 200/250



**Concrete Feeder**  
precisely feeds round and non-round forms. Feeder operations can be manually or computer controlled.

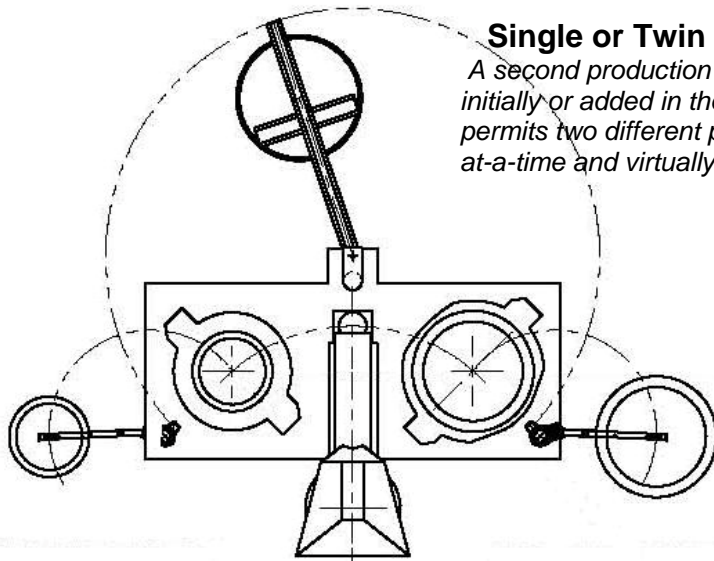
**Control Console**  
permits a single machine operator to control the entire machine process.

**Powered Presshead**  
presses and oscillates to form the product's spigot. Presshead rotates to serve one or two production stations. Presshead is designed to use a master spigot former or stay-in-place headers for the manufacture of precision joints.

**Hydraulic Unit**  
provides hydraulic power for the machines concrete feeder and presshead system.

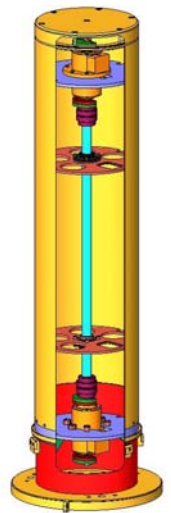


**Adjustable Height Production Base**  
Elevating production base positions various length form sets at the same working elevation.



**Single or Twin Station Capability.**  
A second production station can be installed initially or added in the future. Second station permits two different pipe sizes to be produced at-a-time and virtually doubles machine output.

**Synchronized Core Vibration Forms**  
mount to machine's production base with a simple two-pin connection. Simple mounting style and dedicated internal core vibrators permit fast form changeovers.



Toll Free:  
+1-800-626-1451  
Phone:  
+1-319-394-3197  
Fax:  
+1-319-394-3977  
Email:  
info@hawkeye-pipe.com  
Web:  
www.hawkeye-